

FUNKTION-ONE

MICROBASS 210

The Microbass 210 is a compact embodiment of Funktion-One's infrabass technology which can be used to provide bass extension to the smaller Funktion-One loudspeakers. The Microbass is small enough to fit under seating in restaurants and bars and consists of 2 x Funktion-One 16 Ohm 10" loudspeakers which drive a ported resonant chamber enclosure handling 400 Watts and averaging 102dB sensitivity between 50Hz and 125Hz. The efficient 8 Ohm enclosure allows multiple units to be driven by one amplifier.

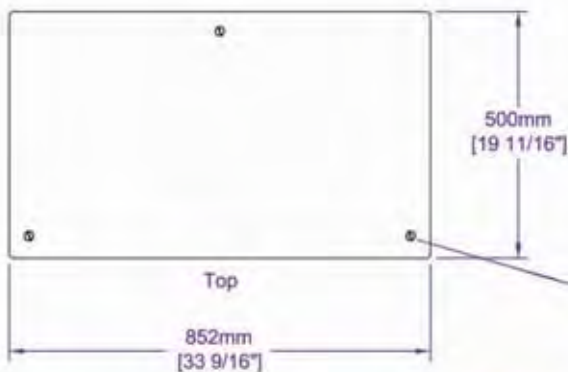


Features:

- New loading technology (patented)
- Bass extension down to 40Hz
- Funktion One designed drivers
- Compact
- Includes a curved stainless steel grill
- Integral handles
- Integral flying points

Drivers	Sensitivity (1W at 1m)	Power (rms)	Nominal Impedance
2x10"	102 dB	400W	8Ω

Frequency Response:	40Hz - 150Hz
Weight:	34 kg (75 lbs)
Construction:	15mm Birch Ply
Connectors:	2 x NL4 Speakon



Comparative size of
Microbass 210 (top) and Minibass 212

